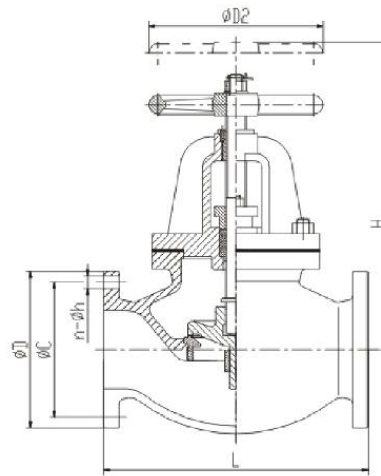




JIS F7353 Cast Iron Marine Screw-Down Check Globe Valve 5K

ZMC Metal
<http://www.zmcsteel.com>



MATERIAL SHEET

No:	Parts	Material	No:	Parts	Material
1	Body	FC200	10	Hexagon Nut	SS400/C3604BD
2	Bonnet	FC200	11	Split Pin	C2600W
3	Hand Wheel	BC6	12	Lock Pin	SS400
4	Disc	BC6	13	Disc Lock Washer	C2600P
5	Valve Seat	BC6	14	Stud	SS400/C3771BD
6	Screwed Bonnet Bush	BC6	15	Stem	C3711BD/BE
7	Seat Ring	BC6	16	Packing	JIS F7102
8	Packing Gland	BC6	17	Gasket	JIS F7102
9	Name Plate	C2801P	18		

Dimension Sheet

DN	Flange Size							Weight (KGS)
	L	D2	H	D	C	n	H	
50	210	160	270	130	105	4	15	14.8
65	250	180	290	155	130	4	15	21.3
80	280	180	300	180	145	4	19	27.6
100	340	224	350	200	165	8	19	40.4
125	410	250	380	235	200	8	19	57.9
150	480	280	430	265	230	8	19	80.9
200	570	315	505	320	280	8	23	139
250	740	355	620	385	345	12	23	243
300	840	400	715	430	390	12	23	377
350	940	500	815	480	435	12	25	463
400	1050	560	905	540	495	16	25	643

ZMC METAL

TEL: +86-571-28938368 FAX: +86-571-87922182,87016758 EMAIL: INFO@ZMCSTEEL.COM