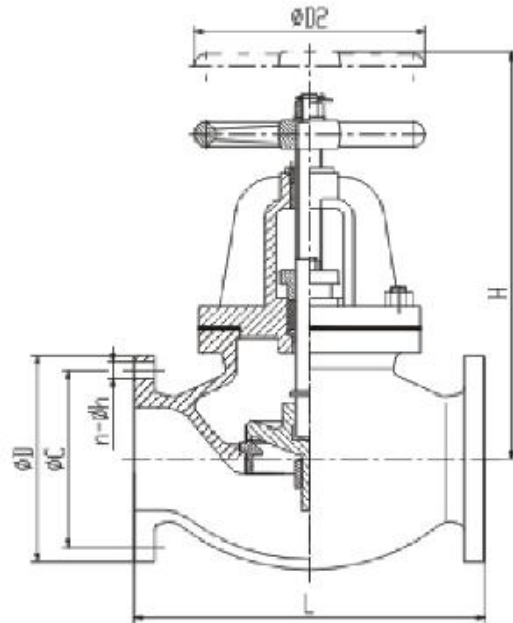
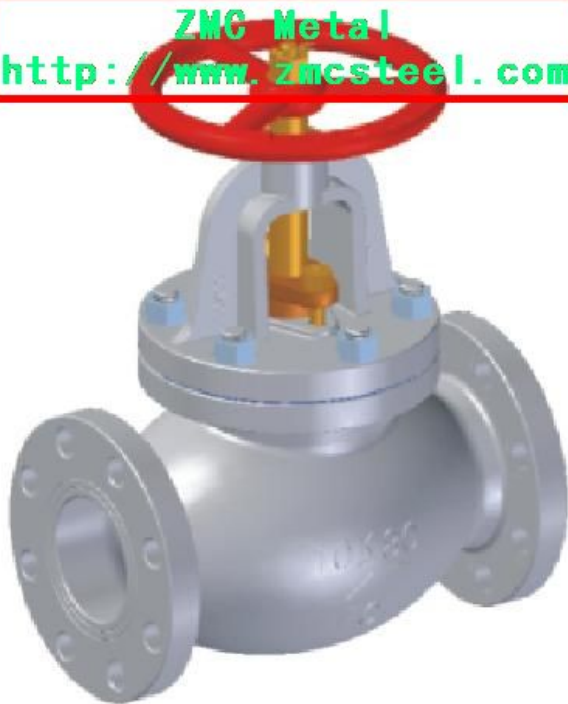




JIS F7375 Cast Iron Marine Screw-Down Check Globe Valve 10K

ZMC Metal
<http://www.zmcsteel.com>



MATERIAL SHEET

No:	Parts	Material	No:	Parts	Material
1	Body	FC200	10	Hexagon Nut	SS400/C3604BD
2	Bonnet	FC200	11	Split Pin	C2600W
3	Hand Wheel	FC200	12	Lock Pin	SS400
4	Disc	BC6	13	Disc Lock Washer	C2600P
5	Valve Seat	BC6	14	Stud	SS400/C3771BD
6	Screwed Bonnet Bush	BC6	15	Stem	C3711BD/BE
7	Seat Ring	BC6	16	Packing	JIS F7102
8	Packing Gland	BC6	17	Gasket	JIS F7102
9	Name Plate	C2801P			

Dimension Sheet

DN	Flange Size							Weight (KGS)
	L	D2	H	D	C	n	h	
50	220	160	285	155	120	4	19	19.9
65	270	200	305	175	140	4	19	28.6
80	300	200	315	185	150	8	19	32.5
100	350	250	360	210	175	8	19	48.7
125	420	280	410	250	210	8	23	73
150	490	315	455	280	240	8	23	104
200	570	355	530	330	290	12	23	161

ZMC METAL

TEL: +86-571-28938368 FAX: +86-571-87922182,87016758 EMAIL: INFO@ZMCSTEEL.COM