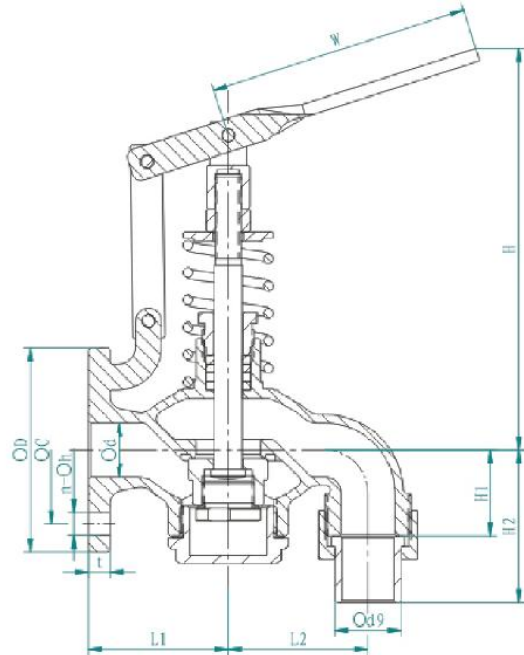
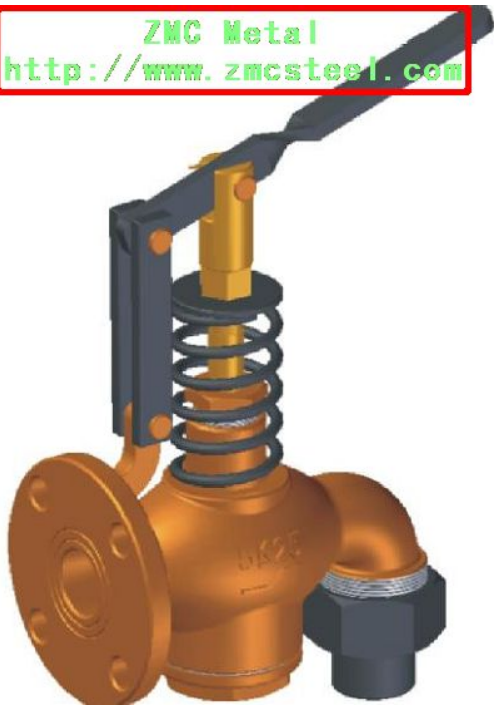




JIS F7398 Bronze Fuel Oil Tank Self-Closing Drain Valve 10K

ZMC Metal
<http://www.zmcsteel.com>



MATERIAL SHEET

No:	Parts	Material	No:	Parts	Material
1	Body	BC6	10	Spring Support	SS400
2	Disc	BC6	11	Operation Bar	SS400/BC6
3	Seat Ring	BC6	12	Guaid	C3771BD
4	Valve Disc Nut	C3771BD	13	Pin	
5	Cap	BC6	14	Stop Ring	SK5
6	Stem	C3771BD	15	Gasket	NON ASBESTOS
7	Packing	NON ASBESTOS	16	Link	SS400
8	Packing Gland	C3771BD	17	Union Nut	
9	Spring	SWPA	18	Nipple	Steel

Dimension Sheet

DN	Size												
	d	L1	L2	H1	H2	D	C	t	n	h	d9	H	W
20	25	65	65	40	71	100	75	14	4	15	31	188	122
25	25	65	65	40	71	125	90	14	4	19	31	188	122

ZMC METAL

ADD: ZMC BUILDING, 101-2#, ZHONGSHAN ROAD, HANGZHOU, CHINA

POST CODE: 310003

TEL: +86-571-28938368

FAX: +86-571-87922182,87016758

[HTTP://WWW.ZMCSTEEL.COM](http://www.zmcsteel.com), [HTTP://WWW.ZMCMETAL.COM](http://www.zmcmetal.com),

EMAIL: [INFO@ZMCSTEEL.COM](mailto:info@zmcsteel.com), [SALES@ZMCMETAL.COM](mailto:sales@zmcmetal.com), [ZMCJORGE@GMAIL.COM](mailto:zmcjorge@gmail.com).